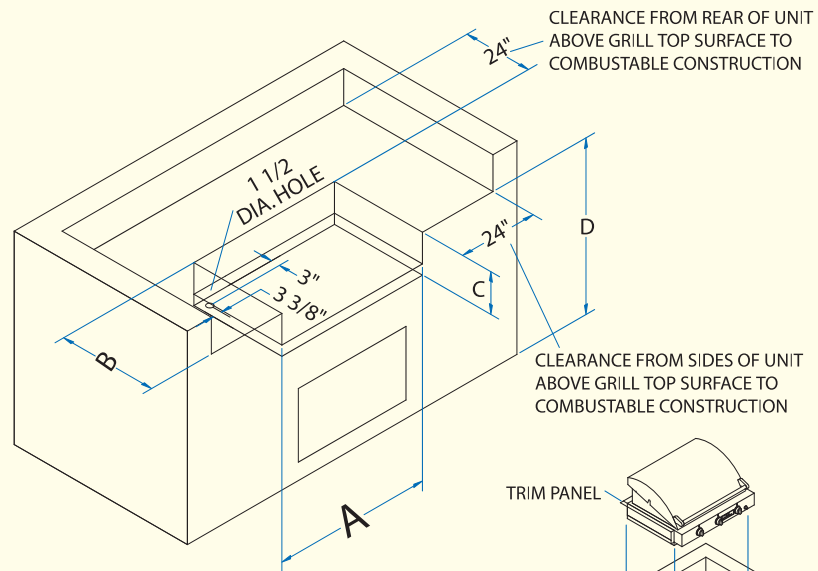
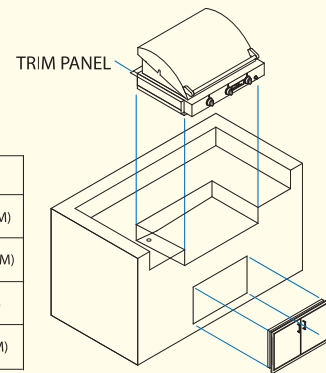


Sterling G2000, G3000 & G4000 FR Build-In Specifications



DESCRIPTION OF MEASUREMENT	G2000 FR	G3000 FR	G4000 FR
A HORIZONTAL WIDTH OF OPENING	28 1/2"(72.4 CM)	38"(96.5 CM)	47 1/2"(120.7 CM)
B HORIZONTAL DEPTH OF OPENING	23 1/16"(58.6 CM)	23 1/16"(58.6 CM)	23 1/16"(58.6 CM)
C VERTICAL DEPTH OF OPENING	8"(20.32 CM)	8"(20.32 CM)	8"(20.32 CM)
D SUGGESTED HEIGHT OF COUNTERTOP	34 1/4"(87.0 CM)	34 1/4"(87.0 CM)	34 1/4"(87.0 CM)

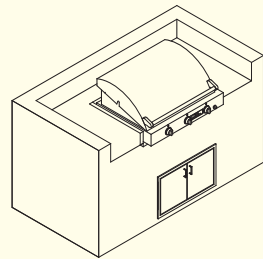


Minimum clearance from sides and back of unit to combustible construction below top of unit: 0" from sides and 0" from back.

Minimum clearance from sides and back of unit to vertical combustible construction extending above top of unit: 24" from sides and 24" from back.

DO NOT USE THIS GAS APPLIANCE UNDER OVERHEAD COMBUSTIBLE CONSTRUCTION.

5" WIDE AREA UNDER FACE PANEL MUST REMAIN UNOBSTRUCTED FOR VENTILATION.



Enclosure Doors

