



# accessory specifications

MIX & MATCH: Components are sold separately to provide flexibility in creating the look that best suits your application. All components are designed to fit the F-Type CBU post and roof.

- Item 8501: Post Base, clamps to existing CBU post for any size F-Type CBU.
- Item 8502: Post Column, clamps to existing post for 8 and 12 door F-Type CBU and requires 8501.
- Item 8503: Roof Cap with Flat Finial, attaches to any F-Type CBU roof.
- Item 8504: Roof Cap with Ball Finial, attaches to any F-Type CBU roof.



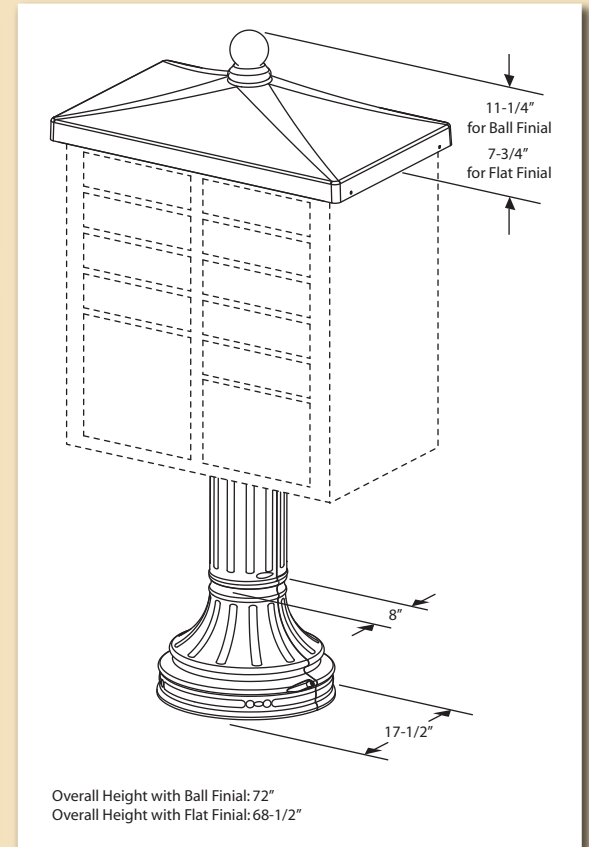
Example:  
8501, 8502 and  
8503



Example:  
8501 and 8504



Example:  
8501 only



## simple retrofit installation onto F-Type CBU

