

## DRC-RADIUS Decorative Vent Cover Installation Instructions

**Note:** This decorative cover is tested and UL approved for use only with DVK-01TRD, DVP-TRAP and SLK-01TRD trapezoidal horizontal termination caps.

**Painting:** The DRC-RADIUS decorative vent cover has been painted with a light gray paint. If you wish to change the color of the cap, you may do so.

Rustoleum™ brand gloss and flat protective enamel spray paints have been tested and approved for adhesion and corrosion protection in this application. Follow the manufacturer's instructions for application.

**Components:**

DRC-RADIUS decorative vent cover

Hardware package:

- Eight (8) self-drilling screws
- Four (4) washers
- Top screen

**Installation Instructions:**

The DVK/SLK-01TRD or DVP-TRAP termination cap should already be installed per instructions.

1. With the decorative cover oriented so the largest loop is at the top, hook the rectangular frame over the heat deflector on the cap and swing it down into place. See Figure 1. Continue to Step 2.
2. Set the decorative cover against the firestop of the cap, making sure that the cap mounting screws are centered in the clearance holes in the frame corners. Drive four (4) of the supplied self-drilling screws through the pilot holes in the decorative frame into the fire stop.
3. Place the top screen in position around the cap's heat deflector and secure it with the remaining four (4) screws and washers.
4. If necessary, break off sides at score line so that edge is flush with termination cap.

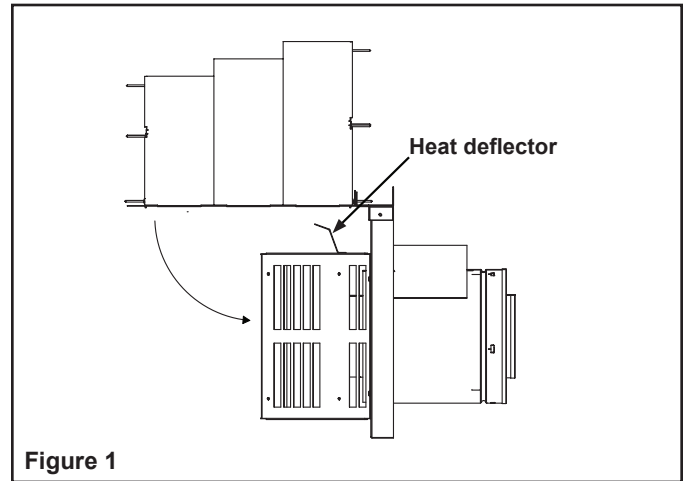


Figure 1

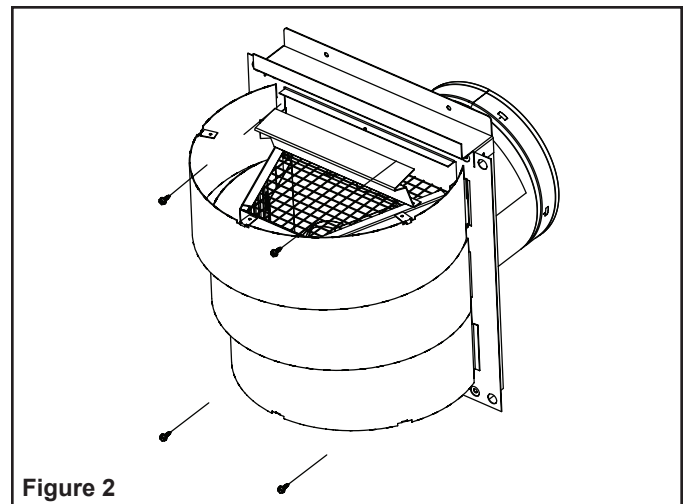


Figure 2

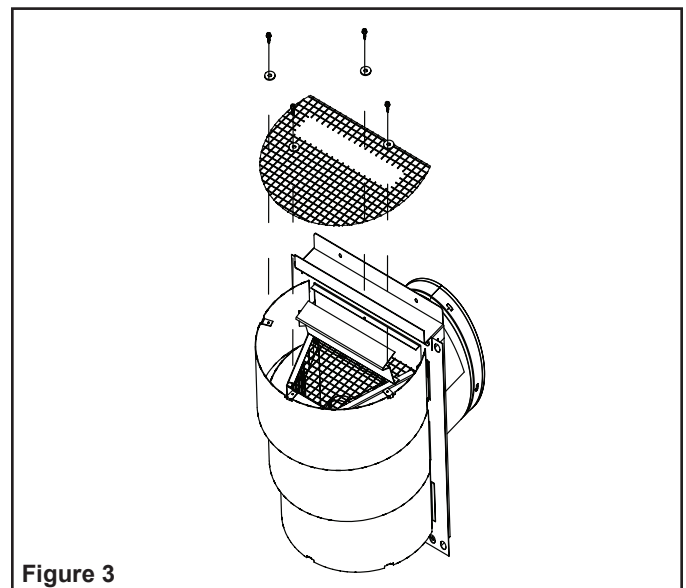


Figure 3