 **Warning:**
 Read this manual before installing, operating or troubleshooting this appliance. Please retain this owner's manual for future reference.

Congratulations

Congratulations on selecting a FireFeature Custom gas fireplace, an elegant and well designed gas fireplace built to your specifications. The Firefeature gas fireplace you have selected is designed to provide the utmost in safety, reliability, and engineering standards.

As the owner of this new fireplace, you'll want to read and carefully follow all the instructions contained in this Installation, Operations and Maintenance manual. Pay special attention to all cautions, warnings, and Important warnings.

This owner's manual should be retained for future reference. We suggest that you keep it with all your other important documents and product manuals.

The information contained in this owner's manual, unless noted otherwise, applies to all models, and gas control systems.

Your new FireFeature Custom gas fireplace will give you years of durable, reliable use. Welcome to the FireFeature family of gas fireplace products.

Safety Alert Key:

- **DANGER!** Indicates a hazardous situation which, if not avoided will result in death or serious injury.
- **WARNING!** Indicates a hazardous situation which, if not avoided could result in death or serious injury.
- **CAUTION!** Indicates a hazardous situation which, if not avoided, could result in minor or moderate injury.
- **NOTICE:** Used to address practices not related to personal injury.
- **Important:** Used to address practices not related to personal injury.

Table Of Contents

Congratulations

Safety Alert Key

Introduction..... 3

Warranty and Installation 3

System Installation / Sequence of Operation 3

Installation

Installing the Fireplace 4-5

Finishing around the Fireplace..... 6

Framing 6

Fireplace Facing 6

Mantels and Surrounds 6

Installing the Gas line..... 6

Installation of Electrical Supply 6

Exterior Power Vent Wire-Routing Installation 7

Installing the Remote Switch..... 7

Vent Terminations..... 7

Vent Installation..... 9

Combustion Air Supply..... 8

Electrical Schematic..... 7

Start Up Sequence..... 8

Operation..... 8

Maintenance..... 11 - 13

General Observations 11

Cleaning 11

Removing and installing the Door 11

Installing the glass beads and optional River Rock..... 12

Troubleshooting 13

Gas Control Valve 13

Spare Parts 13

Warranty 14

Appendix A..... 15

Notes 16



Installation

CAUTION!

Due to its high operating temperatures, the appliance should be located out of traffic & away from furniture and draperies.

- Children and adults should be alerted to the hazards of the high surface temperature, which could cause burns or clothing ignition.
- Young children should be carefully supervised when they are in the same room as the appliance.
- Clothing or other flammable materials should not be placed on or near the appliance.

Important:

All dimensions, and design specifications are subject to approval upon quotation of fireplace and associated equipment.

About the CVIEW-PFC Custom Gas Fireplace:

The CVIEW-PFC is a linear burner power vented fireplace. Montigo's Power Vent system is ideal for extremely long or difficult venting runs, which are beyond the capability of a B-vent model.

- The **C420** is rated for Natural Gas and Propane at 100,000 BTU/H (29.2 Kilowatts) Input. Use 10" dia Certified manufactured B-Vent.
- The **C520** is rated for Natural Gas and Propane at 130,000 BTU/H (37.9 Kilowatts) Input. Use 10" dia Certified manufactured B-Vent.
- The **C620** is rated for Natural Gas and Propane at 170,000 BTU/H (49.6 Kilowatts) Input. Use 10" dia Certified manufactured B-Vent.
- The **C720** is rated for Natural Gas and Propane at 200,000 BTU/H (58.4 Kilowatts) Input. Use 12" dia Certified manufactured B-Vent.
- The **C820** is rated for Natural Gas and Propane at 230,000 BTU/H (67.2 Kilowatts) Input. Use 12" dia Certified manufactured B-Vent.

Installation



Warranty and Installation Information:

The Montigo warranty will be voided by, and Montigo disclaims any responsibility for, the following actions:

- Modification of the fireplace and/or components including vent assembly or glass doors.
- Use of any component part not manufactured or approved by Montigo in combination with this Montigo fireplace system.
- Installation other than as instructed in this manual.

Consult your local Gas Inspection Branch on installation requirements for factory-built gas fireplaces. Installation & repairs should be done by a qualified contractor.

Installations in Canada must conform to the current **CAN/CGA B-149.1** and **.2** Gas Installation Code and local regulations. This appliance must be electrically grounded in accordance with **CSA C22.1** Canadian Electrical Code Part 1 and/or Local Codes. *See Appendix A* for installation within the State of Massachusetts.

System Installation / Sequence of Operation

Follow these instructions to ensure the safe and efficient operation of your Custom fireplace.

All connections are to be made Per. the instructions within this Instruction Guide.

- Ensure the wall switch is turned to the "OFF" position.
- Energize the electrical control panel. The Power Vent motor should run for three (3) minutes then automatically switch off.
- Turn the wall switch "ON".
- The power vent motor will start to run and develop a negative pressure in the vent above the gas flue outlet. (This negative pressure is monitored by a pressure switch located in the bottom of the fireplace). When this negative pressure exceeds 0.02" WC, the switch will close the connection on terminal strip #9 and #10 located in the electrical panel.
- This will power up both relays supplying 24 Volts to the Honeywell control valves located in the bottom of the fireplace. The glow pug on the pilot system will ignite the pilots, and the sensor will identify the presence of a pilot flame and turn the gas valve to fully open position.
- In the event that a pilot can not be established the electronic monitoring system in the smart valve will repeat this process three times. If the system is not successful in the third attempt the valve will lock out.
- To reset the system turn the wall switch "off", and then switch back "ON" to repeat this sequence.
- Should the system NOT ignite, read the trouble shooting section for additional information.

Important:

All dimensions, and design specifications are subject to approval upon quotation of fireplace and associated equipment.

Installing The Fireplace

To install the fireplace:

The C-View fireplace system is an engineered fireplace system, and will require you to provide the correct vent run and air supply information to the Engineering staff of Montigo. Note: The C-View fireplace may be purchased as an open-front fireplace (no glass door), providing the the combustion air supply has been considered for the safe operation of the fireplace.

Please consult with Montigo on the method which the volume of combustion air supply is to be delivered to the model of choice. C-View fireplaces with a glass front may also take the combustion air from the interior of the structure, and will be required to meet the requirements as one without a glass front. C-View fireplaces which use air from the exterior of the structure fall into the category of a 'sealed combustion type appliance'.

Fresh Air Supply:

Connect all of the fresh air supply for this fireplace to the lower vent connections assuring no reduction or restriction to the air supply occurs, even due to unexpected circumstances. Please consider automated dampers, particularly on the intake air supply in cold climates. This is especially important when the intake air is introduced from the top down. Cold air has the tendency to settle to the lowest point in the vent system.

For extra long air supply runs, Montigo will recommend an increase in vent diameter. When changing the air supply from several incoming air connections to one vent, consult this information with your contact at Montigo. To ensure adequate operation of the vent system ensure the size of the one vent is not less than the total sum of vents that you are connecting to.

Flue Gas vent run:

The C-View fireplace system may be installed with any certified UL or ULC B-Vent. All the clearances to this B-Vent must be equivalent to the manufacture's specifications as outlined in the installation/operation manual. The size of this B-vent is specified in the approval process and cannot be reduced unless Montigo has re-evaluated your system. If authorized to reduce your vent size you will be issued new shop drawings reflecting the new vent connection size and specifications.

The vent system may be installed vertically or horizontally, to any length, and may have numerous elbows. (Quantity of elbows as supplied to Montigo). The vent run may also be lower than the fireplace flue gas outlet, or have a portion that is lower than the main vent run, as long as Montigo has reviewed and engineered the entire system. Montigo will then re-evaluate this information and size the Power Vent to the vent restriction, and compensate for the pressure drop.

Power Vent:

Montigo manufactures a variety of Power vent modules as large as 5KWatts. The Power vent is commonly placed either horizontally or vertically at the end of the B-Vent run. However, we have an in-line vent module available. This Inline Power vent is for installations where an exterior module isn't visually attractive, or permitted.

Also, In-line Power vents are more complex to install, primarily due to the positive pressure in the vent system after the Power vent module. Therefore this vent run after the Power vent module must be air-tight due too the concern gas by-products may leak from the vent into the structure.

All Power vent modules create a negative pressure before the module and leaks in the vent draw air from the building and will not create a safety hazard.

Installation

C-View fireplace:

The fireplace may be installed in any location that maintains proper clearances to air conditioning ducts, electrical wiring and plumbing. Safety, as well as efficiency of operation, must be considered when selecting the fireplace location. Try to select a location that does not interfere with room traffic, has adequate ventilation, and offers an accessible pathway for vent installation. Refer to *Vent Installation Section* for more information.

The fireplace dimensions are shown below and on the following page:

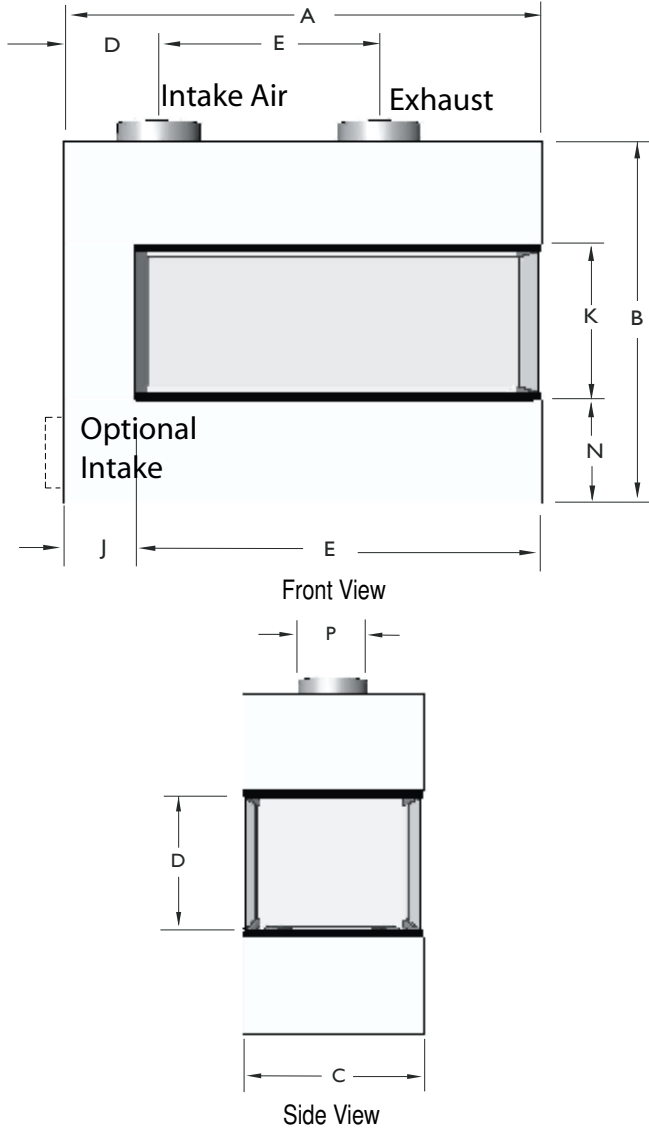


Figure 1. Fireplace dimensions.

C-View-PFC Fireplace Dimensions														
	A	B	C	D	E	F	G	H	I	J	K	L	M	N
C420	54	56	24	10	26	N/A	N/A	N/A	N/A	8	24	N/A	N/A	15 1/4
C520	N/A	N/A	N/A	N/A	N/A	N/A	N/A	N/A	N/A	N/A	N/A	N/A	N/A	N/A
C620	N/A	N/A	N/A	N/A	N/A	N/A	N/A	N/A	N/A	N/A	N/A	N/A	N/A	N/A
C720	N/A	N/A	N/A	N/A	N/A	N/A	N/A	N/A	N/A	N/A	N/A	N/A	N/A	N/A
C820	114	76	36	8 5/8	56 5/8	N/A	N/A	N/A	N/A	18 3/4	42	N/A	N/A	17

Figure 1a. Fireplace dimensions. (Contact the manufacturer for all dimensions for models C520 through C720).

C-View-PRC Air Intake Dimensions			
	O Qty of Vents	P Dia. of Vents	Air Intake in/sq
C420	2	6 7/8 Rear 7 7/8 Bottom	Call
C520	N/A	N/A	Call
C620	N/A	N/A	Call
C720	N/A	N/A	Call
C820	3	6 7/8 Rear 7 7/8 Bottom	Call

Figure 2. Air Intake dimensions. (Contact the manufacturer for all dimensions for models C520 through C720).

Note: Intake air for combustion of the C-View system, may originate from within or from the exterior of the structure.

For installations where the combustion air intake ducts are not connected to the exterior of the structure ensure there is adequate fresh air in the interior space.

To operate efficiently, C-View gas fireplaces (with glass doors) require 80CFM per. 10,000 BTU's. Open face units require the specified 100CFM per. 10,000BTU of fresh air to operate properly.

Clearances

All building materials that are shaded in Figure 3 must be non-combustible materials. The C-View-PFC must also maintain the following clearances.

Top of 90 Elbow (BV)	1"
Top of 90 Elbow (CV)	3"
Vent	1"
Sides	2"
Back	2"
Mantel(s)*	12"
Door**	1/4"
Top	24"
Floor	0"

* See Instructions on page 4

** See Instructions on page 4

Unprotected combustible walls which are perpendicular to the fireplace opening, must not be closer to the fireplace than the described in Figure 7.

⚠ WARNING!

When this appliance is installed directly on carpeting, tile or any combustible material other than wood flooring, it must be installed on a metal or wood panel extending the full width and depth of the appliance.

Installation



Framing

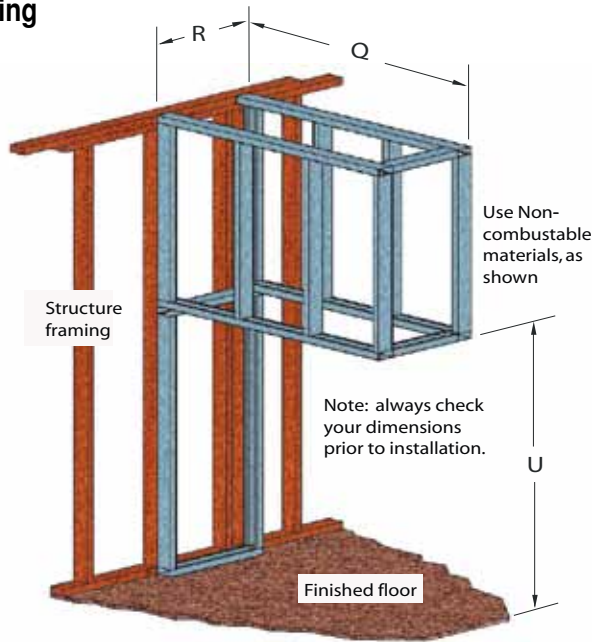


Figure 3. Framing dimensions

Framing Dimensions			
	Q	R	U
C420	57 1/4	23	56 1/4
C520	N/A	N/A	N/A
C620	N/A	N/A	N/A
C720	N/A	N/A	N/A
C820	113	36	76 1/4

Figure 3a. Framing dimensions. (Contact the manufacturer for all dimensions for models C520 through C720).

Framing the Door

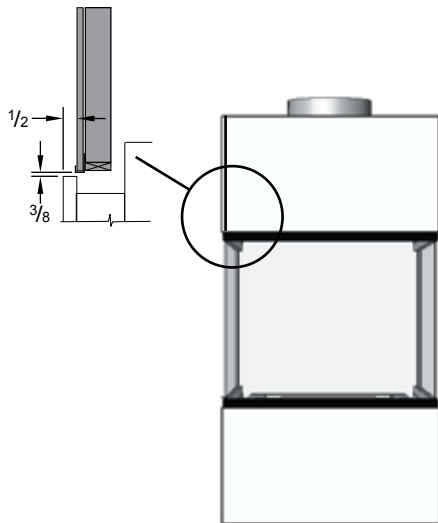


Figure 3a. Door framing dimensions. (Typical).

Refer to chart on page 3a for correct dimensions.

Finish drywall up to outside dimensions Q, and U. Use non combustible J-track to finish edge of drywall. This will leave a 1/4" opening to allow the CVIEW Door Frame to be slid into place.

Finishing Around the Fireplace

Combustible mantels and mouldings may be safely installed over the fireplace provided that they do not project beyond shaded area shown in Figure 4. Side wall clearances are 3". Combustible surrounds may be installed with 3" clearance to the side of the fireplace as shown in Figure 5.

Fireplace Facing

When selecting the finish material for your fireplace, it is important to remember the following: **THE ELECTRICAL CONTROL PANEL MUST NOT BE OBSTRUCTED IN ANY WAY - to do so prevents access for servicing controls.**

The face of the fireplace may be painted to match the room decor, provided you use a heat-resistant paint. Decorative facing must not extend past the fireplace opening at all, because it will interfere with the access to retainers for removal of glass door.

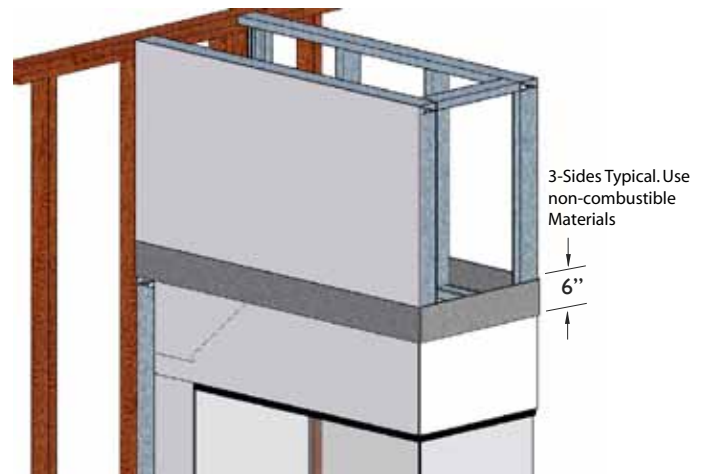


Figure 4. Combustible mantels and facing's (Both Sides Typical).

Mantels & Surrounds

NOTE: National Canadian Gas Association mantel test requirements are for fire hazard prevention to combustible materials.

New technology, to meet consumer and government demands for the wise use of energy, has prompted us to manufacture many models of fireplaces which are hot, fuel and energy efficient.

Please be aware; temperatures over the mantel will rise above normal room temperature and walls above fireplace may be hot to touch.

We recommend careful consideration be given to the effects of elevated mantel temperatures which may be in excess of product design, for example: candles, plastic or pictures. This can cause melting, deformation, discoloration or premature failure of T.V. and radio components.

Painting:

Special care is recommended by the Master Painters and Decorators Association, when painting the fireplace surrounds, to select and apply a quality **Alkyd sealer** prior to the applying of latex paints. This is to prevent leaching of water from evaporation and causing a brownish staining effect to paint over coats.

Installation

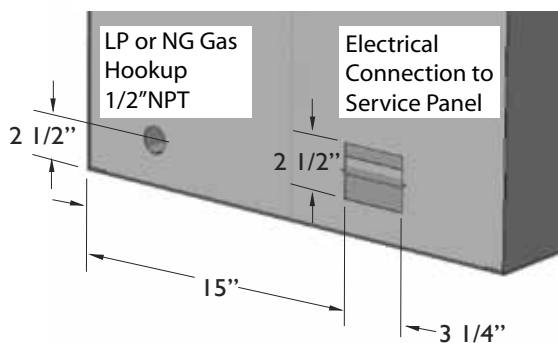


Figure 5. Combustible surrounds.

Installing The Gas Line

The gas connection is located on the right side of the lower portion of the fireplace body. The manufacturer requires a service shut off valve located in an accessible location to isolate the gas supply. The gas line must be installed, and tested for leaks before finishing the CVIEW Fireplace. **Natural Gas** requires a minimum inlet gas supply pressure of 5.5" W.C. & a manifold pressure of 3.5" W.C. **Propane** requires a minimum inlet gas supply pressure of 11" W.C. & a manifold pressure of 10" W.C. The manifold outlet pressure is set from the factory to the appropriate pressure and should be verified. The manufacturer has provided an inlet pressure tap location in the fireplace for easy access. The control valves have a provision to remove a 1/8 plug so that a hose barb fitting can be installed to check pressure.

Note: After gas line is connected, **each appliance connection, valve and valve train** must be checked while under normal operating pressure with either a liquid solution, or leak detection device, to locate any source of leak. Tighten any areas where bubbling appears or leak is detected until bubbling stops completely or leak is no longer detected. **DO NOT use a flame of any kind to test for leaks.**



Refer to chart on page 3 for correct dimensions.

Figure 6. Gas line access.

Installation Of Electrical Supply

The C-View Fireplace is supplied with an external electrical Control Panel pre-wired by the factory. The standard gas control cable is 15 feet between the fireplace and the external panel, additional length is available upon request. The external panel is 16" x 16" x 6" and must be located in an accessible location. The C-View requires **120V electrical supply on a dedicated 15 amp fuse or circuit breaker** to the Control Panel

Installations in Canada must be electrically grounded in accordance with **CSA C22.1** Canadian Electrical Code Part 1 and/or Local Codes.

Installations in the USA must be electrically grounded in accordance with local codes or, in the absence of local codes, with the National Electrical Code, **ANSI/NFPA 70-1987**.

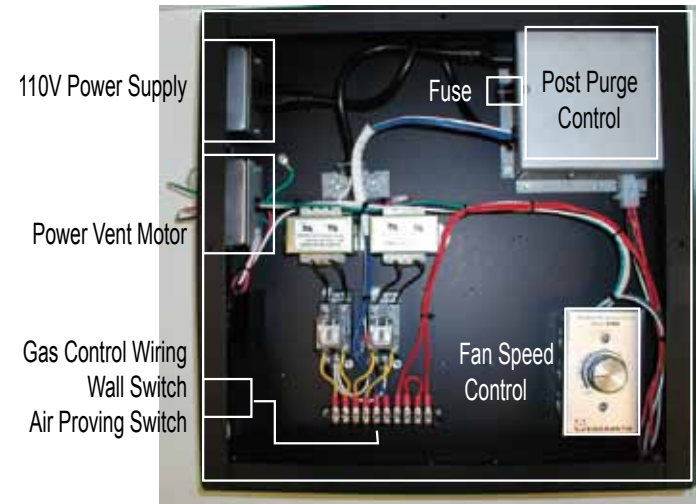


Figure 7. Electrical Supply

The electrical panel has three connection boxes on the side of the panel marked: 110 Volt Power Supply, Power Vent Motor, and Gas Control Wiring.

First Connect the White, Black, and Green (Ground) wire coming from the power vent motor in the box marked Power Vent Motor. Then connect the cable from the fireplace. Last connect the power supply to the box marked 110 Volt Power Supply. See the diagram on **page 9** for the cable installation.

Installing The Remote Switch

The CVIEW-PFC's two gas valves, located inside the unit and underneath the burner, may be connected to a wall switch or a hand-held remote. The valve operates on a **24V circuit**. **DO NOT** connect the gas valve to an external circuit. The external electrical panel supplied with the fireplace is equipped with a 20 foot low voltage wire, for connecting to a wall switch of your choice, longer lengths are an option.

⚠ CAUTION:

- Do not obstruct, or attempt to conceal, the vent termination. These actions will affect the operation of the fireplace, and may be hazardous.
- In heavy snow areas, take extra care to prevent snow buildup from obstructing the vent termination.



Installation

Exterior Power Vent / Wire Routing Installation Diagram

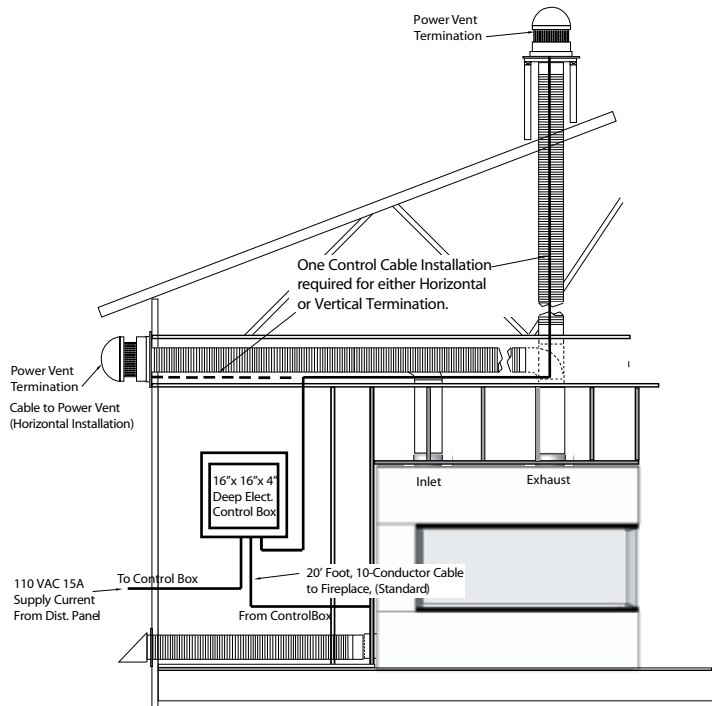


Figure 7a. C-View Control Box / Power Vent Wire Routing Diagram

Vent Terminations

Selecting A Termination Location

Before installing the termination or venting, check to ensure the planned termination location is acceptable. See figure 10, 10a below.

Installing ST Terminations with Frame

1. Frame the termination opening to 22" x 22".
2. Fasten the termination and its frame using a minimum of 4 screws. (See Figure 8, 8a)

Exterior Power Vent Installation

Installation Requirements for Exterior Power Venter

- The CVIEW-PFC fireplaces are certified for use with any approved UL certified B-Vent venting components. (Use of other non-certified parts will void the Montigo warranty, and may impede the operation of the fireplace).
- The clearance for B-Vents is listed by the manufacturer of the B-Vent. Install components and fittings using the clearances specified by the B-Vent manufacturer .
- All joints must be secured as per the instructions provided by the B-Vent manufacturer.
- The exhaust portion of a vent termination must not be recessed in a wall cavity.
- Horizontal runs must be supported by a minimum of three supports per 10 feet of venting.

- For vertical installations the longest vent run is 140 feet with a limit of 8 -90° Elbows, or 16 - 45° Elbows. For longer runs contact the C-View Manufacturer.
- For horizontal installations the longest vent run is 100 feet with a limit of 4 -90° Elbows, or 8 - 45° Elbows. For longer runs contact the C-View Manufacturer.
- It is important that the location of the power vent motor is not exposed to a downfall of water not in excess of the standard rain fall.
- For Exterior Power Vent Installations use EXPVRN10 or EXPVRN12 or for extra long vent runs use BF52 Power Vent Module.

Available BF-Series Exterior Power Vent Systems:

Montigo BF-Series Exterior Power Vent Systems								
Power Vent model	Mount	VOLT	HP	Amp	RPM	CFM	Damper	10"12"
BFPVRN 10/12	Roof	110	1/3	1.4A	1,150	1,600	NA	●
BFPVDRN 10/12	Roof	110	1/3	1.4A	1,150	1,600	●	●
BFPVWN 10/12	Wall	110	1/3	1.4A	1,150	1,600	NA	●
BFPVDWN 10/12	Wall	110	1/3	1.4A	1,150	1,600	●	●
BFPVRNB 10/12	Roof	220	1/3	1.5A	1,150	1,600	NA	●
BFPVDRNB 10/12	Roof	220	1/3	1.5A	1,150	1,600	●	●
BFPVWNB 10/12	Wall	220	1/3	1.5A	1,150	1,600	NA	●
BFPVDWNB 10/12	Wall	220	1/3	1.5A	1,150	1,600	●	●
BFPVRH 10/12	Roof	220	1-1/2	5.6A	1,750	6,000	NA	●
BFPVDRH 10/12	Roof	220	1-1/2	5.6A	1,750	6,000	●	●
BFPVWH 10/12	Wall	220	1-1/2	5.6A	1,750	6,000	NA	●
BFPVDWH 10/12	Wall	220	1-1/2	5.6A	1,750	6,000	●	●
BFPVRH5 10/12	Roof	220	5	12.0A	2,200	10,000	NA	●
BFPVDRH5 10/12	Roof	220	5	12.0A	2,200	10,000	●	●
BFPVWH5 10/12	Wall	220	5	12.0A	2,200	10,000	NA	●
BFPVDWH5 10/12	Wall	220	5	12.0A	2,200	10,000	●	●

Available Exhausto Exterior Power Vent Systems:

Exhausto Exterior Power Vent Systems								
Power Vent model	Model	Mount	VOLT	HP	Amp	CFM	Damper	10"12"
EXPVRN 10/12	RS14	Roof	110	1/3	1.4A	1,400	NA	●
EXPVDRN 10/12	RS14	Roof	110	1/3	1.4A	1,400	●	●
EXPVRH 10/12	RS16	Roof	110	1/3	3.9A	2,000	NA	●
EXPVDRH 10/12	RS16	Roof	110	1/3	3.9A	2,000	●	●
EXPVWN 10/12	RS14	Wall	110	1/3	1.4A	1,400	NA	●
EXPVDWN 10/12	RS14	Wall	110	1/3	1.4A	1,400	●	●
EXPVWH 10/12	RS16	Wall	110	1/3	3.9A	2,000	NA	●
EXPVDWH 10/12	RS16	Wall	110	1/3	3.9A	2,000	●	●

Installation

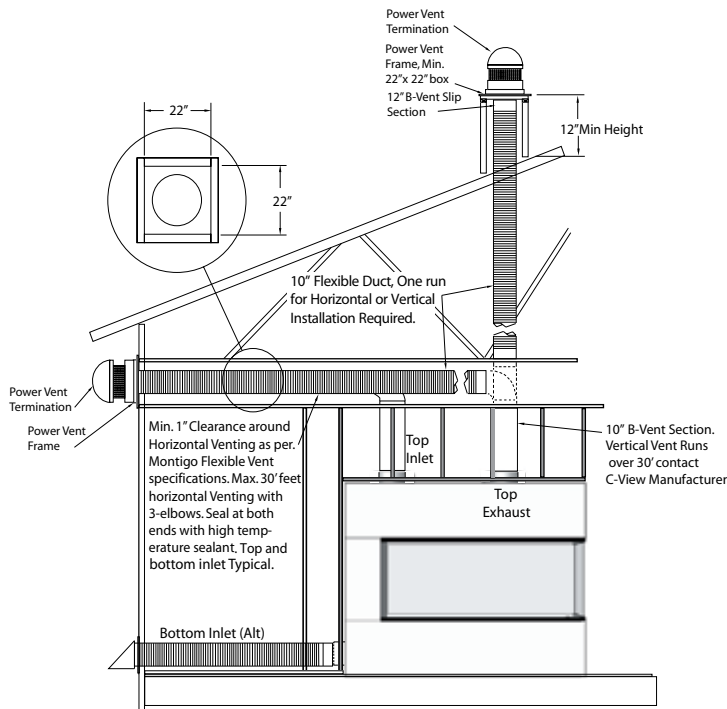


Figure 8. Typical B-vent configurations.

Installation Requirements for Interior Power Venter, Model: Exhausto RSIF 160/180/300/350/400/500

- Vent size used will depend solely on Gas Fireplace model number, size of unit. C-View Models 520-920 will use 10" diameter B-Vent, with C-View Models 1020-1620 using 12" diameter B-Vent.
- C-View Gas Fireplaces are certified for use with any approved UL Certified B-Vent, supplied from fireplace to In-line Power Vent Module.
- A flexible insulated Vent pipe manufactured and listed by Montigo will connect the Power Vent Module to the termination.
- All joints between the Power Venter and Termination must be sealed air-tight with silicon or approved equal.
- The flexible portion of insulated pipe must have 1" clearance to all combustibles.

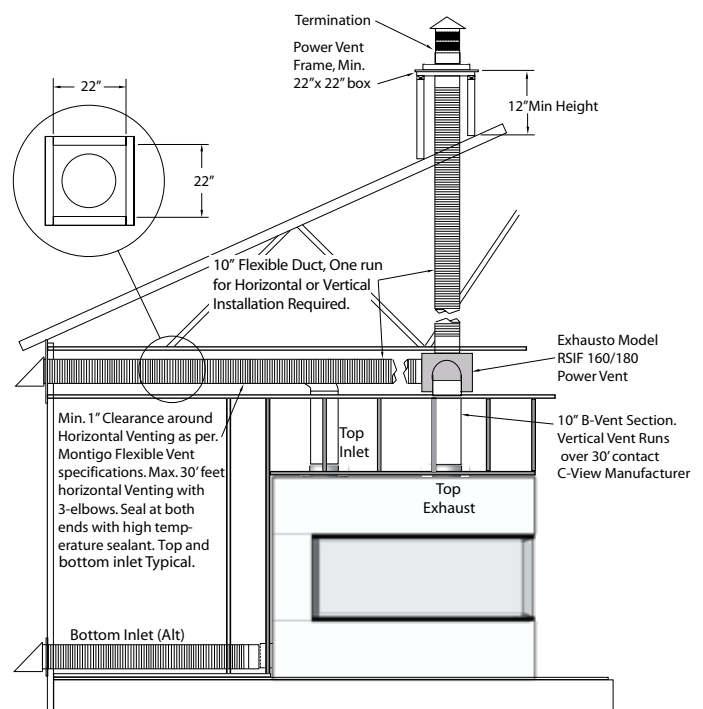


Figure 8a. Typical Flexible vent configurations.

Combustion Air Supply System

Installation Requirements

- An intake grill will have to be installed with the same size of the total opening as the combined air supply ducts on the unit. Make sure you have calculated the restriction and selected the proper grill size.
- The C-View fireplace is supplied with two or more combustion air duct connection points. Do not reduce the size of the air supply system, or restrict the air supply in any way. On any combustion air supply run longer than 25 feet the duct should be increased in size to prevent a restriction.
- A vacuum safety switch, located under the burners, will monitor the combustion air supply pressure and will prevent the burner from igniting, or continuing to burn if the pressure is negative, past 0.3WC.
- For air supply runs over 25 feet consult with Montigo to have the vent supply re-sized.

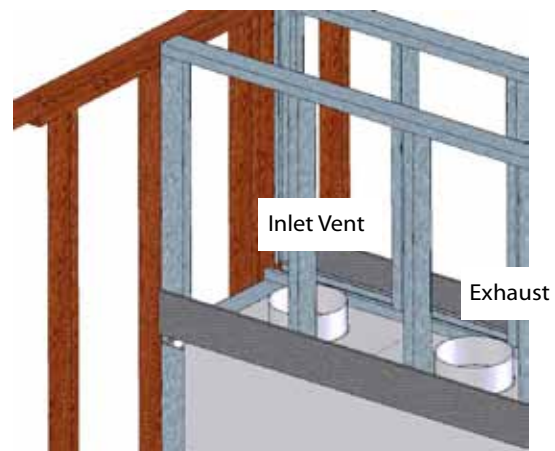
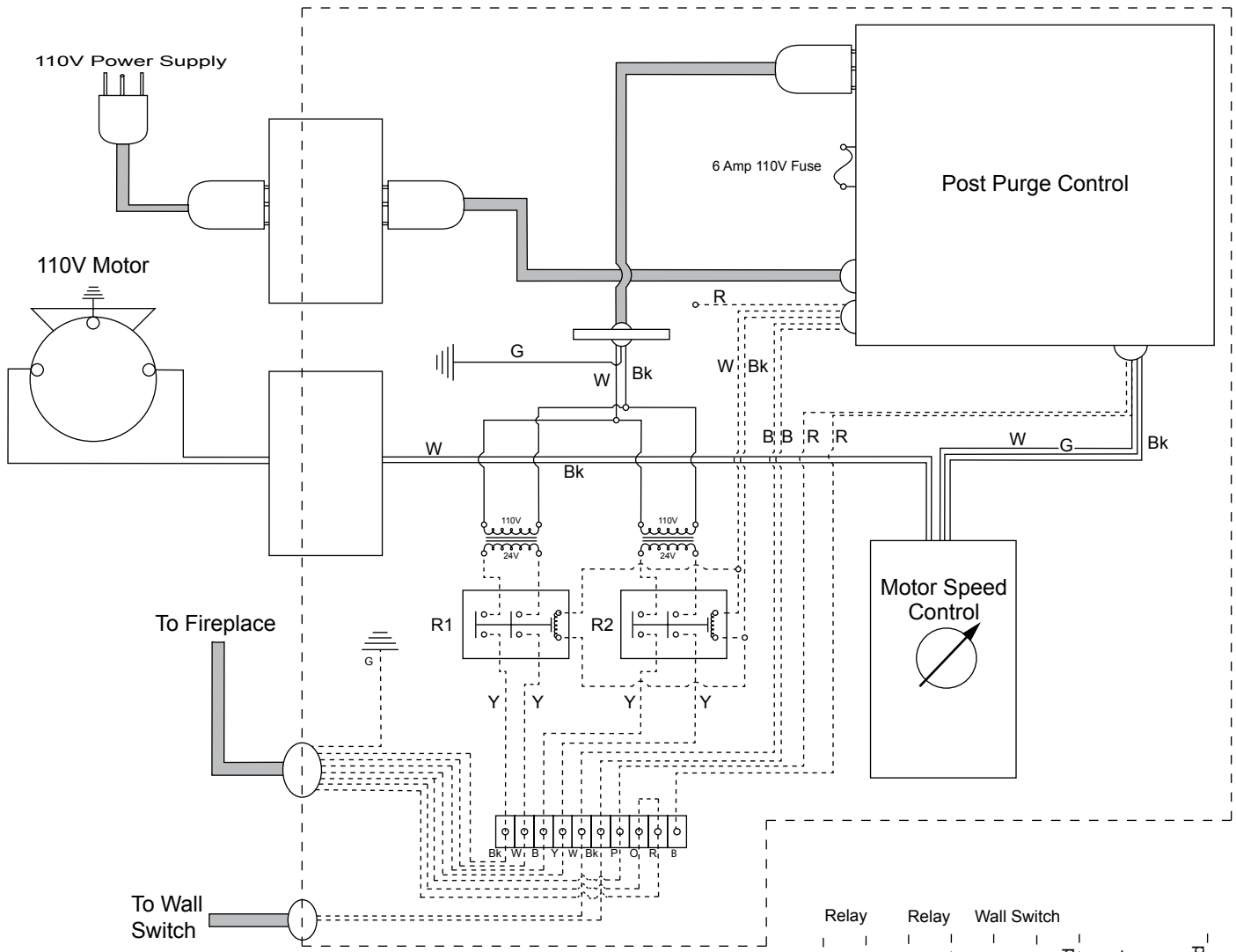


Figure 10c. Combustion Air Supply Vent.

Installation

⚠ WARNING! If you do not follow these instructions exactly, a fire or explosion may result causing property damage, personal injury or loss of life.




First Burner: 1,2 Black-White
 Second Burner: 3,4 Blue-Yellow
 Wall Switch: 6,7 Black-White
 Air Priority Switch: 9,10 Orange-Red
 Green is Ground

Legend
 - - - - - Denotes Low Voltage
 ———— Denotes Line Voltage

1	2	3	4	5	6	7	8	9	10
Yel	Yel	Yel	Yel	Blu	Blu	Red	Jumper	Red	Red
Wht / Blk	Blk / Wht	Blu / Yel	Blk / Yel	Wht / Blk	Blk / Wht	Pk	Org	Red	Brn
Valve 1	Valve 2	Wall Switch	Wall Switch	Wall Switch	Wall Switch			Air Proving Switch	Air Proving Switch


 **Installation**

 **WARNING!** If you do not follow these instructions exactly, a fire or explosion may result causing property damage, personal injury or loss of life.

Startup Sequence:


- A. Purge all air out of the gas supply line to the fireplace system and ensure that the supply pressure is not in excess of 12" WC.
 - B. Ensure the supplied Power vent module is connected to the electrical control panel.
 - C. Ensure the wall switch terminals inside the Power vent control box are connected to the single pole ON/ Off switch.
1. Turn the speed controller to the high position, (counter clock wise). When you feel a click you have turned the power vent motor to the Off position. Initiate power to the control panel

- with the ON/Off switch in the Off position. The power vent motor should start up, and time out in about 3 to 5 minutes. Make sure that the power vent motor is running clock wise by looking at the motor end.
2. Turn the speed controller now to the low speed (clock wise).
 3. Switch on the fireplace, and slowly turn the speed up on the power vent module until the hot service igniters start to glow. Leave the speed at that setting. Control panels with two relays will make a clicking sound when the the air switch turn's the system on.

 **CAUTION!**

- This fireplace has been set up at the factory for a determined air volume though the venting system.
- This fireplace will not operate unless the correct air movement is detected by our control system.
- The glass temperature should not exceed 300 deg F. and the flue gas temperature should not exceed 380 deg F.
- Please consulted with your contact person at Montigo should you have any problems with your start up.

 **Operation:** *With Honeywell Intermittent Pilot*

 **WARNING!** If you do not follow these instructions exactly, a fire or explosion may result causing property damage, personal injury or loss of life.

For Your Safety - READ BEFORE LIGHTING:

- A. This appliance is equipped with an ignition system that lights the pilot burner automatically. **Do not attempt to light the pilot by hand.**
- B. **BEFORE LIGHTING** smell all around the appliance area for gas. Be sure to smell next to the floor because some gas is heavier than air and will settle on the floor.

What To Do If You Smell Gas:

- Do not try to light any appliance.
- Do not touch any electrical switch; do not use any phone

- in your building.
 - Immediately call your gas supplier from a neighbour's phone. Follow the gas supplier's instructions.
 - If you cannot reach your gas supplier, call the Fire Department.
- C. Do not use this appliance if any part has been under water. Immediately call a qualified service technician to inspect the appliance and to replace any part of the control system, and any gas control which has been under water.

Maintenance 🔧

⚠️ CAUTION!

- Fireplace gas control must be in the "OFF" position and pilot and main burners extinguished when cleaning appliance with a vacuum.
- Doors can get very hot. Handle only when cool.

General

- Have the fireplace installation inspected yearly, including a visual check of the vent system, the burner and the pilot flame. For your convenience a 1/8" manifold pressure tap is supplied on the gas valve for a test gauge connection.
- For **Natural Gas** this appliance requires a minimum inlet pressure of 5.5" W.C. and a manifold pressure of 3.5" W.C.
- For **Propane** this appliance requires a minimum inlet pressure of 11" W.C. and a manifold pressure of 10" W.C.
- Always keep the fireplace area clear and free of combustible materials, as well as gasoline and other flammable vapours and liquids.
- Do not use this appliance if *any part has been under water*. Immediately call a qualified service technician to inspect the appliance and to replace any part of the control system and any gas control which has been under water.

Cleaning

When the fireplace is first activated, there may be some smoking and a visible film may be left on the glass. This is a normal condition, and is the result of burning of protective coatings on new metal.

- Glass must be cleaned periodically to remove any film (which is a normal by-product of combustion) which may be visible. Film can easily be removed by removing the door, as shown on page 8. Handle the door carefully, and clean it with non-abrasive glass cleaners. One of the most effective products is Kel Kem.
- Silicone seals on inner door during initial firing will "off gas", leaving a visual deposit of a white substance on combustion chamber walls. This can easily be removed using normal household products.
- Use a vacuum cleaner or whisk broom to keep the control compartment, burner, and firebox free from dust and lint.

⚠️ WARNING!

Do not attempt to clean glass when hot.

Do not clean glass with abrasive materials as any glass etching may cause premature glass failure.

Removing and Installing the Door

Removing the door:

The C-View-PFC Series Door-Window outer trim are held in place by magnets, and the Door-window frames are held in place by fine-thread 10-24 screws. Follow the process below to remove, or install the items described.

Figure 14. The Fireplace as it is received from Montigo.

Figure 15. (Step 2) Remove the Door-window trim by grasping the metal firmly and pull it free it from the frame. *Note: Hold it as shown in Step 2 to release the hold of the magnets.*



Figure 14. Step 1. (Door Trim)



Figure 15. Step 2. (removal of Trim)



Figure 16. Step 3 (Removal of Door Frame)



Figure 17. (Completed Removal)

Figure 16. (Step 3) Remove the Door-window assembly by turning the 10-24 screws counterclockwise. Note: Have someone hold the door-window assembly in place until all screws are removed. Then grab the assembly from either end lifting it away from the fireplace. Place it in a safe location to store or clean.

Figure 17. (Step 4) Removal is complete. Proceed with service or cleaning.

Maintenance

installing the doors:

Install the doors in reverse order as shown in Steps 1 through 4.

Important: when re-installing screws into their original location, ALWAYS hand tighten with screwdriver to ensure proper tension on all screws.

 **CAUTION!**

- **DO NOT OVERTIGHTEN** with an electric appliance (Screwdriver). Most electric drills, or turning device's have torque settings, and if this setting is set too high it will strip the threads in the inserts. See the procedure above for re-installing the door.

Installing the Glass Beads and Optional River Rocks

Beads

The **C-View-PFC Series** are supplied with Designer Glass beads. Remove the Door and trim as shown in the previous Instruction. Follow these instructions to ensure all parts are removed or replaced as required.

Once the Trim and glass door are removed place the marbles randomly across the pan surrounding the burners as shown in Figure 18.

NOTE: **DO NOT** Cover burners with beads or the *optional* rocks as shown in Figure 18.

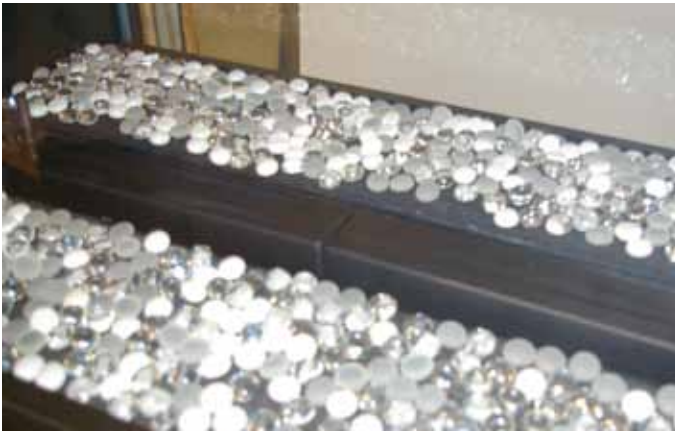


Figure 18. Installation of glass beads .

Optional River Rocks


The **C-View-PFC Series** has the option of installing the *optional* cultured rocks which mimic real stone. They are attractive yet designed to withstand a high temperature environment such as inside a gas fireplace. These may be spaced at random, or in a visual pattern of your preference. See the Montigo web site for photographs and ideas.

www.montigo.com

Note: Ensure the rocks or beads do not cover the Burners.

 **CAUTION!**

DO NOT OPERATE THIS FIREPLACE WITHOUT THE GLASS DOOR OR WITH A BROKEN GLASS DOOR.

 **CAUTION!**

- Fireplace gas control must be in the "OFF" position and pilot and main burners extinguished when cleaning appliance with a vacuum.
- Doors can get very hot. Handle only when cool.

 **WARNING!**

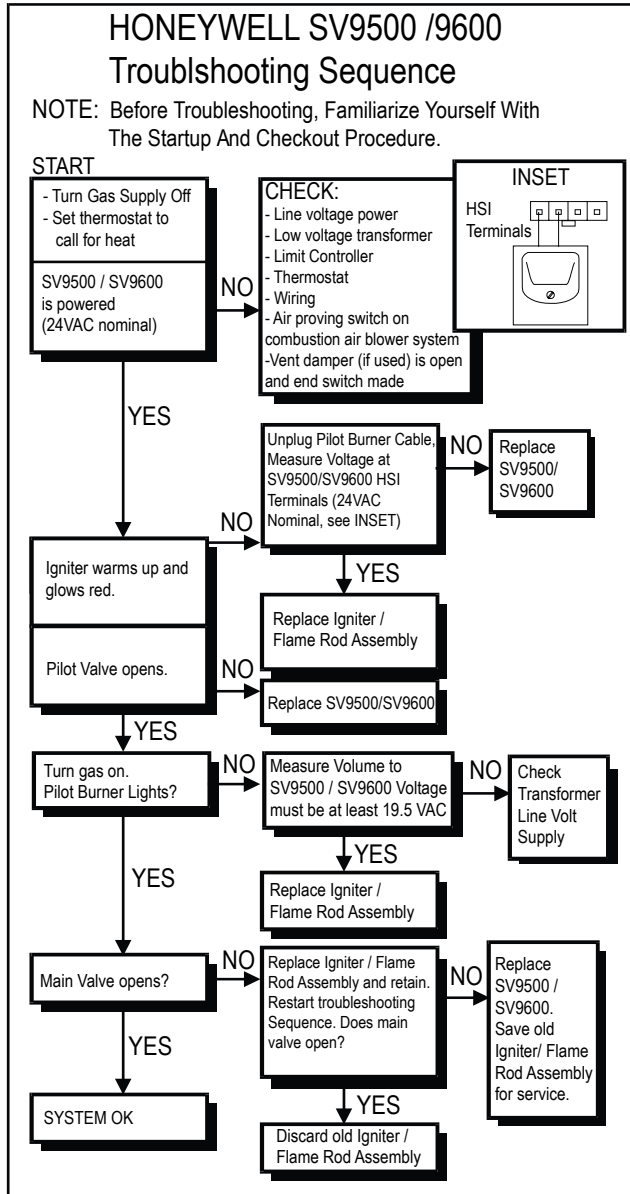
Do not attempt to clean glass when hot.

Do not clean glass with abrasive materials as any glass etching may cause premature glass failure.

Maintenance



Troubleshooting



Troubleshooting the Power Vent System:

The Montigo Power Venter will generate a negative pressure in the vent system. This pressure is monitored by a pressure sensing switch located in the bottom of the fireplaces.

- The switch has a normally open contact and is connected by a nine conductor cable to the electrical control panel.
- The two wires are red and brown and are connected to the terminal strip in the electrical control panel, terminal, #9 and #10.

The combustion air is supplied to the bottom of the fireplace and is monitored by a pressure sensing switch that is also located in the bottom of the fireplace. If there is a shortage of air for any reason, the combustion air monitoring switch will open, closing the contacts, prevent the burner from igniting.

- The wires for this switch are orange and purple and are also part of the nine conductor cable; they are connected to terminal #7 and #8.

In the event that you need to test the status of both pressure switches, you would remove the jumper on terminal # 8 and # 9, so that you can test with an ohm meter on terminal's #7 and #8. You can also check the terminals number #9 and #10 without a power feedback.

- Note:
- Test these switches with the power vent motor in operation at maximum speed. You should have a closed circuit on both switches.
 - An open contact on the combustion air proving switch, (terminals #7 and #8) will indicate a lack of air supply.
 - An open contact on the flue gas switch, (terminals #8 and #9) may also indicate inadequate air flow at the flue outlet however that may also be caused by an inadequate fresh air supply.

The flue gas switch will close the contact when it is exposed to a pressure differential from the top of the flue of the fireplace, vs from the bottom of the fireplace combustion chamber.

Note: A blocked air supply will not provide a substantial pressure differential to close the switch.

Therefore; you must remove the fireplace glass to eliminate this possibility. If you still do not have a closed circuit after the removal of the glass front you need to consult with a technician at Montigo.

Troubleshooting

If your fireplace still does not operate correctly, consult your dealer or the manufacturer. **All service and repairs should be performed by a qualified agency.** All spare parts, optional fans, and optional trim finishes are available from your local dealer or the manufacturer.

Gas Control Valve

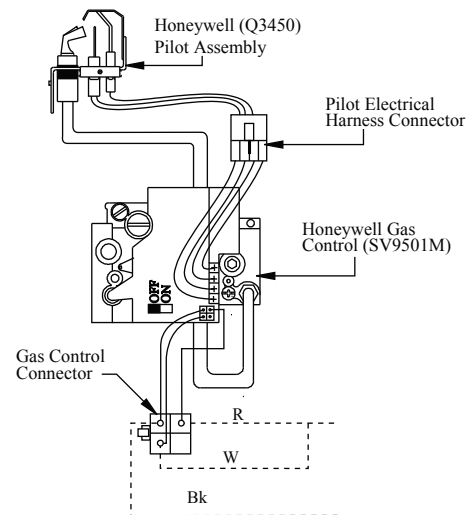


Figure 11. Honeywell SV9501 gas valve.

Spare Parts - CVIEW-PFC

	PART NUMBER
NG Gas Valve	RGC1004
NG Pilot	RGC2021
Door	Contact the Manufacturer
Proving Switch	REC1168
Relay	EC1170
Transformer	REC1142

Warranty

The Warranty

The Companies warrants the Montigo Gas Appliance to be free from defects in materials and workmanship at the time of manufacture. On the Montigo, there is a ten-year warranty on the firebox and its components, a five-year warranty on the main burner, and a one-year warranty on the pilot burner, gas control valve and fibre logs. Glass, plated/painted finishes, and refractory lining are exempt.

Remedy And Exclusions

The coverage of this Warranty is limited to all components of the Gas Appliance manufactured by The Companies.

This Warranty only covers Montigo Gas Appliances installed in the United States or Canada.

If the components of the Gas Appliance covered by this Warranty are found to be defective within the time frame stated (see The Companies right of investigation outlined below). The Companies will, at its option, replace or repair defective components of the Gas Appliance manufactured by The Companies at no charge, and will also pay for reasonable labour costs incurred in replacing or repairing components. If repair or replacement is not commercially practical, The Companies will, at its option, refund the purchase price of the Montigo Gas Appliance.

This Warranty covers only parts and labour as provided above. In no case shall The Companies be responsible for materials, components, or construction which are not manufactured or supplied by The Companies, or for the labour necessary to install, repair or remove such materials, components or construction. All replacement or repair components will be shipped F.O.B. the nearest The Companies factory.

Qualifications To The Warranty

The Gas Appliance Warranty outlined above is further subject to the following qualifications:

- (1) The Gas Appliance must be installed in accordance with The Companies installation instructions and local building codes. The Warranty on this Montigo Gas Appliance covers only the component parts manufactured by The Companies. The use of components manufactured by others with this Montigo Gas Appliance could create serious safety hazards, may result in the denial of certification by recognized national safety agencies, and could be in violation of local building codes. This warranty does not cover any damages occurring from the use of any components not manufactured or supplied by The Companies
- (2) The Montigo Gas Appliance must be subjected to normal use. The Gas Appliances are designed to burn gas only. Burning conventional fireplace fuels such as wood, coal or any other solid fuel will cause damage to the Gas Appliance, will produce excessive temperatures and will result in a fire hazard.

Limitations On Liability

It is expressly agreed and understood that The Companies sole obligation, and purchaser's exclusive remedy under this Warranty, under any other warranty, expressed or implied, or in contract, tort or otherwise, shall be limited to replacement, repair, or refund, as specified above.

In no event shall The Companies be responsible for any incidental or consequential damages caused by defects in its products, whether such damage occurs or is discovered before or after replacement or repair, and whether or not such damage is caused by The Companies negligence. Some states do not allow the exclusion or limitation of incidental or consequential damages, so the above limitation or exclusion may not apply to you. The duration of any implied warranty with respect to this Montigo Gas Appliance is limited to the duration of the foregoing warranty. Some states do not allow limitation on how long an implied warranty lasts, so the above may not apply to you.

Investigation Of Claims Against Warranty

The Companies reserves the right to investigate any and all claims against this Warranty and to decide upon method of settlement.

The Companies Are Not Responsible For Work Done Without Written Consent

The Companies shall in no event be responsible for any warranty work done without first obtaining The Companies written consent.

Dealers Have No Authority To Alter This Warranty

The Companies employees and dealers have no authority to make any warranties nor to authorize any remedies in addition to or inconsistent with those stated above.

How To Register A Claim Against Warranty

In order for any claim under this Warranty to be valid, The Companies must be notified of the claimed defect in writing or by telephone, as soon as reasonably possible after the defect is discovered. Claims against this Warranty in writing should include the date of installation, and a description of the defect.

Other Rights

This Warranty gives you specific legal rights, and you may also have other rights which vary from state to state.

NOTE: *The Companies* as stated above refer to - Canadian Heating Products Inc. and/or Montigo Del Ray Corp.

Canadian Heating Products Inc. and/or Montigo DelRay Corp. reserves the right to make changes at any time, without notice, in design, materials, specifications, prices and also to discontinue colors, styles and products.

Appendix A - State of Massachusetts

Amendment

(Gas Fireplace / Equipment sold in the State of Massachusetts)

5.08: Modifications to NFPA-54, Chapter 10

(1) Revise NFPA-54 section 10.5.4.2 by adding a second exception as follows:

Existing chimneys shall be permitted to have their use continued when a gas conversion burner is installed, and shall be equipped with a manually reset device that will automatically shut off the gas to the burner in the event of a sustained back-draft.

(2) Revise 10.8.3 by adding the following additional requirements:

(a) For all side wall horizontally vented gas fueled equipment installed in every dwelling, building or structure used in whole or in part for residential purposes, including those owned or operated by the Commonwealth and where the side wall exhaust vent termination is less than seven (7) feet above finished grade in the area of the venting, including but not limited to decks and porches, the following requirements shall be satisfied:

1. INSTALLATION OF CARBON MONOXIDE DETECTORS. At the time of installation of the side wall horizontal vented gas fueled equipment, the installing plumber or gas fitter shall observe that a hard wired carbon monoxide detector with an alarm and battery back-up is installed on the floor level where the gas equipment is to be installed. In addition, the installing plumber or gas fitter shall observe that a battery operated or hard wired carbon monoxide detector with an alarm is installed on each additional level of the dwelling, building or structure served by the side wall horizontal vented gas fueled equipment. It shall be the responsibility of the property owner to secure the services of qualified licensed professionals for the installation of hard wired carbon monoxide detectors

a. In the event that the side wall horizontally vented gas fueled equipment is installed in a crawl space or an attic, the hard wired carbon monoxide detector with alarm and battery back-up may be installed on the next adjacent floor level.

b. In the event that the requirements of this subdivision can not be met at the time of completion of installation, the owner shall have a period of thirty (30) days to comply with the above requirements; provided, however, that during said thirty (30) day period, a battery operated carbon monoxide detector with an alarm shall be installed.

2. APPROVED CARBON MONOXIDE DETECTORS. Each carbon monoxide detector as required in accordance with the above provisions shall comply with NFPA 720 and be ANSI/UL 2034 listed and IAS certified.

3. SIGNAGE. A metal or plastic identification plate shall be permanently mounted to the exterior of the building at a minimum height of eight (8) feet above grade directly in line with the exhaust vent terminal for the horizontally vented gas fueled heating appliance or equipment. The sign shall read, in print size no less than one-half (1/2) inch in size, "GAS VENT DIRECTLY BELOW. KEEP CLEAR OF ALL OBSTRUCTIONS".

4. INSPECTION. The state or local gas inspector of the side wall horizontally vented gas fueled equipment shall not approve the installation unless, upon inspection, the inspector observes carbon monoxide detectors and signage installed in accordance with the provisions of 248 CMR 5.08(2)(a)1 through 4.

(b) EXEMPTIONS: The following equipment is exempt from 248 CMR 5.08(2)(a)1 through 4:

1. The equipment listed in Chapter 10 entitled "Equipment Not Required To Be Vented" in the most current edition of NFPA 54 as adopted by the Board; and
2. Product Approved side wall horizontally vented gas fueled equipment installed in a room or structure separate from the dwelling, building or structure used in whole or in part for residential purposes.

(c) MANUFACTURER REQUIREMENTS - GAS EQUIPMENT VENTING SYSTEM PROVIDED. When the manufacturer of Product Approved side wall horizontally vented gas equipment provides a venting system design or venting system components with the equipment, the instructions provided by the manufacturer for installation of the equipment and the venting system shall include:

1. Detailed instructions for the installation of the venting system design or the venting system components; and
2. A complete parts list for the venting system design or venting system.

(d) MANUFACTURER REQUIREMENTS - GAS EQUIPMENT VENTING SYSTEM NOT PROVIDED. When the manufacturer of a Product Approved side wall horizontally vented gas fueled equipment does not provide the parts for venting the flue gases, but identifies "special venting systems", the following requirements shall be satisfied by the manufacturer:

1. The referenced "special venting system" instructions shall be included with the appliance or equipment installation instructions; and

2. The "special venting systems" shall be Product Approved by the Board, and the instructions for that system shall include a parts list and detailed installation instructions.

(e) A copy of all installation instructions for all Product Approved side wall horizontally vented gas fueled equipment, all venting instructions, all parts lists for venting instructions, and/or all venting design instructions shall remain with the appliance or equipment at the completion of the installation.

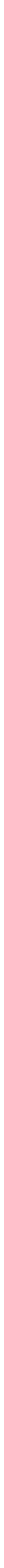
(3) After NFPA-54 section 10.10.4.2 add a new section 10.10.4.3 as follows:

When more than four gas appliances are to be vented through a common gas vent or common horizontal vent manifold, a plan of the proposed vent installation shall be submitted to the Inspector and the serving gas supplier for review and approval.

Extraction from: Massachusetts Rules and Regulations

5.00: Amendments To 2002 Edition Of ANSI Z223.1-NFPA-54

Notes



Notes



Notes



